



# sashmate<sup>®</sup>

## side hung

Please use this step by step guide along side the Instruction Manuals, Aide memoire and demonstration films already provided.

All of the above can be found online at  
<https://www.glazesafe.com//use-sashmate/>

All Sashmate components should be inspected before and after use. Any damage should be reported to the Competent Person in charge of safety in your organisation.

In all cases safety remains the responsibility of the engineer using the Sashmate Tools.

Standard safety precautions such as, but not limited to, edge protection, safety cordons below the work area, necessary labour to carry the sash into and back out of the building must be considered.

The Sashmate Tools should not be used in adverse weather conditions.

The Sashmate Tools should only ever be used by experienced engineers who have been sufficiently trained on the Sashmate products.



Fit the positioning pin in the correct hole relating to the width of the sash. This can be altered later if the wrong hole is chosen.



Fit the retaining clip through the positioning pin.



Fit the bottom clamp over the outer frame, release the screw on the outer tube and extend the inner bar.



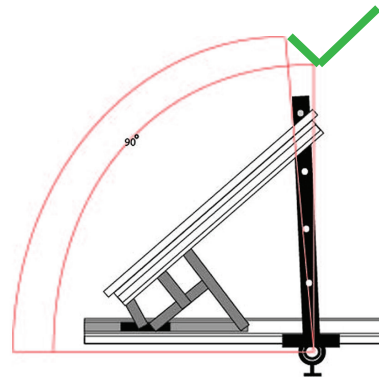
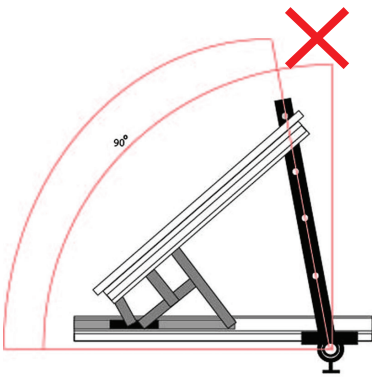
APPLY FORCE TO SEPARATE THE INNER BAR FROM THE OUTER TUBE, TIGHTEN THE SCREW AND CHECK FOR STABILITY.



Release the two screws on the horizontal arm.



Swing the horizontal arm around and underneath the sash so that there is at least 75mm of sash over hanging the horizontal arm.



IT IS IMPORTANT THAT THE HORIZONTAL ARM IS AT RIGHT ANGLE TO THE OUTER FRAME. MOVE THE SIDE HUNG TOWARDS THE HINGE SIDE OF THE OUTER FRAME TO ACHIEVE THIS .



Raise the horizontal arm and tighten the two screws.



Remove the fixings from the bottom hinge.



CHECK THAT THE CENTRE FIXING IN THE TOP HINGE IS PRESENT AND SECURE. Remove the outer two fixings leaving the centre fixing.



If possible it is helpful to use a screw driver for the last (centre) screw. **HOLD THE SASH AND STABILISE FROM THIS POINT ONWARDS, BEFORE REMOVING THE LAST (CENTRE) SCREW.**



Remove the last screw, place the screw driver in your tool belt or your drill on your belt clip whilst stabilising the sash. Close the top hinge.



Pull the sash towards you on the Sashmate if necessary. Tilt the top of the sash outwards and carry into the building.



**CHECK ALL SCREWS ARE TIGHT AND THE SASHMATE IS STABLE.** With the bottom hinge open lift the sash back into position, on the Sashmate.



**HOLD THE SASH AND STABILISE FROM THIS POINT ONWARDS.** Open the top hinge into position.



Still stabilising the sash start to fit the centre screw by hand if possible.



Tighten the centre screw.



Fit the remaining fixings to the top hinge.



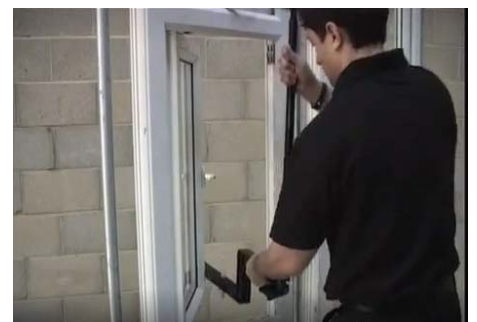
Fit the bottom hinge fixings.



Release the two screws on the horizontal arm. Move the arm and the sash to allow the arm to drop and swing out from underneath the sash. Tighten the two screws.



Hold both the inner bar and the outer tube. Release the screw and allow the inner bar to drop carefully, enough to pass under the outer frame. Still holding the outer tube tighten the screw.



Carry the Sashmate Side Hung in by holding the horizontal arm and the outer tube.